

### TYPICAL ISOLATION APPLICATIONS

- Fan and motor assemblies within air handling units.
- Free standing axial and centrifugal fans.
- Refrigeration Plant.
- Pumps.
- Rotary and Multi Cylinder Compressors.
- Floating Floors.
- Vibration and shock protection for sensitive equipment.
- Test rigs and special purpose machines.

### DESIGN FEATURES

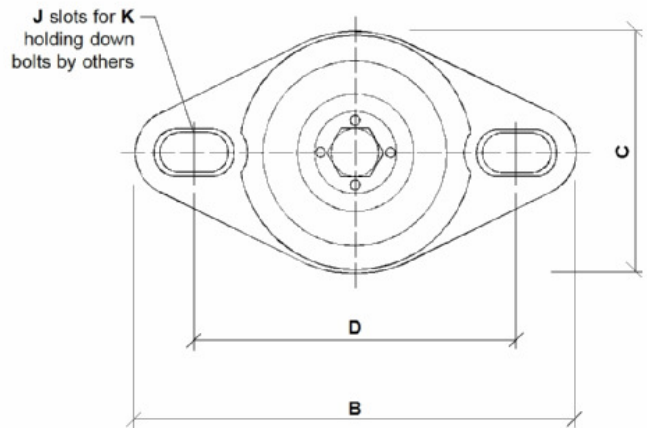
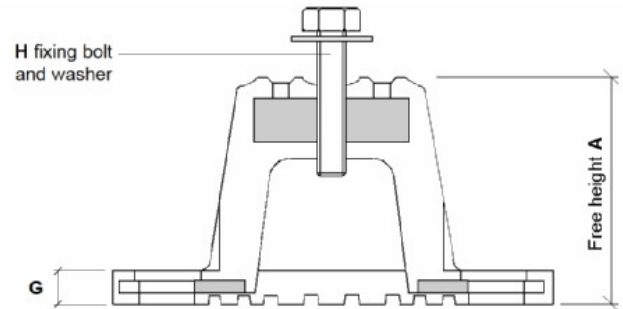
- Static deflections up to 6mm.
- Overload capacity between 40 and 50%.
- Colour coded for identification.
- Element moulded in firstgrade natural rubber to BS 5176 with integral steel base and upper fixing boss.
- Upper fixing bolt and washer supplied as standard.
- Suitable for internal use only.

### OPTIONAL EXTRA

Denoted by the following model code suffix:

- P** - protective external finish, details available upon request.

**INSTALLATION** - refer to separate installation guide for details.



### TECHNICAL DATA & DIMENSIONS

MODEL CODE	COLOUR CODE	DEFLECTION AT RATED LOAD (mm)	RATED LOAD (kg)	DIMENSIONS (mm)							
				A	B	C	D	G	H	J	K
B / RM1 / 04 / 0020	YELLOW	4	20	32	80	45	57	5	M8 x 20	9	M8
B / RM1 / 04 / 0035	BLUE		35								
B / RM1 / 04 / 0055	RED		55								
B / RM2 / 06 / 0075	YELLOW	6	75	45	95	60	71	5	M10 x 25	9	M8
B / RM2 / 06 / 0125	BLUE		125								
B / RM2 / 06 / 0200	RED		200								
B / RM3 / 06 / 0105	YELLOW	6	105	70	150	86	115	6	M12 x 30	11	M10
B / RM3 / 06 / 0185	BLUE		185								
B / RM3 / 06 / 0285	RED		285								

### TYPICAL ISOLATION APPLICATIONS

- Pipework.
- Ductwork and Attenuators.
- Fans and Fan Coil Units.
- Acoustic ceilings.
- Any other suspended plant.
- May also be used as a thrust restraint.

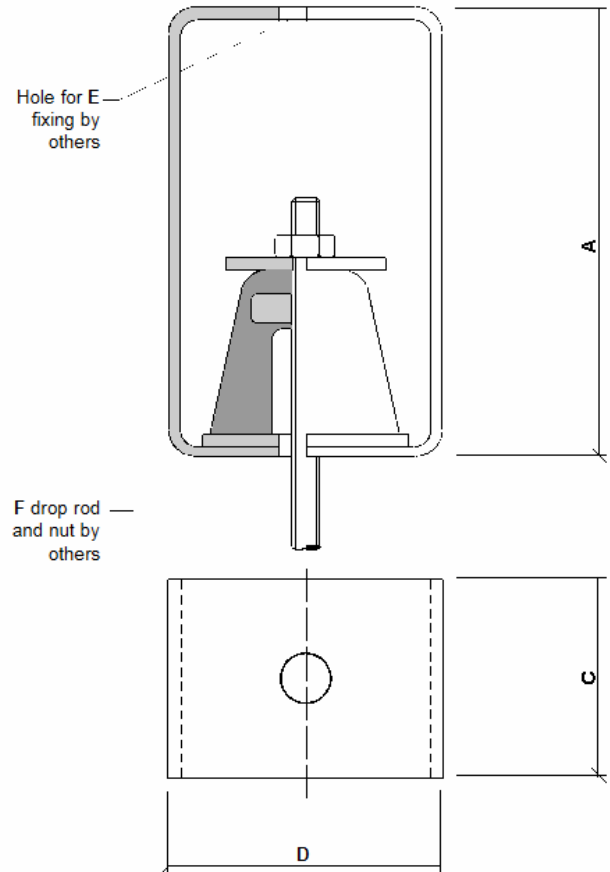
### DESIGN FEATURES

- Static deflections of up to 6mm.
- Overload capacity between 40 and 50%.
- Colour coded for identification.
- Element moulded in durable oil resistant neoprene with integral steel base and upper fixing boss.
- Epoxy powder coated steel frame.
- Failsafe steel overload washer supplied as standard.
- Suitable for internal use only.

### OPTIONAL EXTRA

Denoted by the following model code suffix:

P - protective external finish, details available upon request.

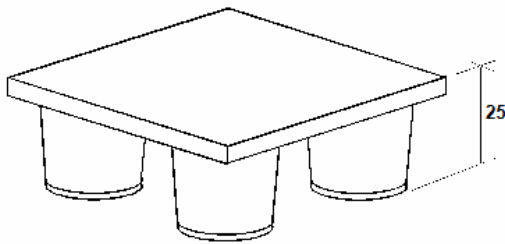


**INSTALLATION** - refer to separate installation guide for details.

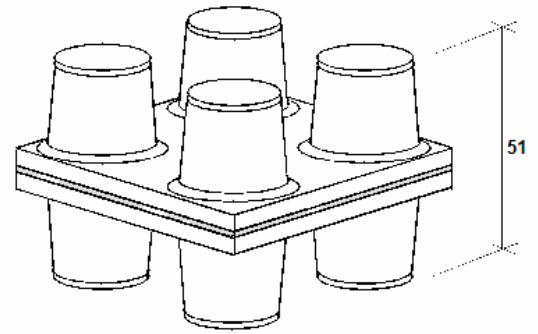
### TECHNICAL DATA & DIMENSIONS

MODEL CODE	COLOUR CODE	DEFLECTION AT RATED LOAD (mm)	RATED LOAD (kg)	DIMENSIONS (mm)				
				A	C	D	E	F
B / RH1 / 04 / 0020	YELLOW	4	20					
B / RH1 / 04 / 0035	BLUE	4	35	100	40	55	M8	M8
B / RH1 / 04 / 0055	RED	4	55					
B / RH2 / 06 / 0075	YELLOW	6	75					
B / RH2 / 06 / 0125	BLUE	6	125	140	70	80	M10	M10
B / RH2 / 06 / 0200	RED	6	200					

## PAD OPTIONS



Single layer pad

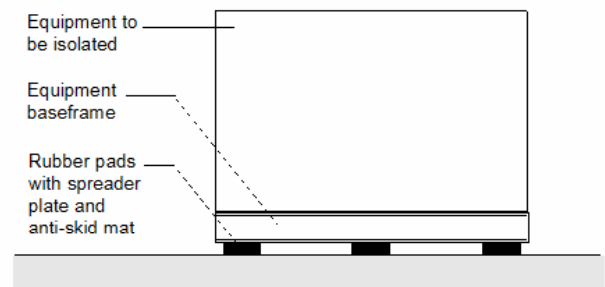
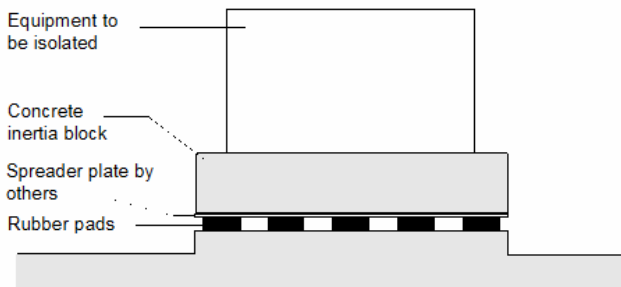


Double layer pad with steel interleaf

## TYPICAL ISOLATION APPLICATIONS

- Beneath concrete inertia blocks (single or double layer pads).

- Beneath equipment baseframes (single layer pads only).



## DESIGN FEATURES

- Mats manufactured from natural rubber compounds to BS 5176.
- Two solid stud rubber compounds available to cover a wide range of applied loads.
- Pads may be double stacked in order to achieve higher static deflections.
- Suitable for internal use only when used with spreader plate or steel interleaf.

## OPTIONAL EXTRAS

Denoted by the following model code suffix:

**S** - 3mm thick steel spreader plate and 3mm thick anti-skid mat bonded to the top of the isolation pad.

**P** - protective external finish to spreader plate or steel interleaf, details available upon request.

**INSTALLATION** - refer to separate installation guide for details.

## TECHNICAL DATA & DIMENSIONS

MODEL CODE	COLOUR CODE	DEFLECTION AT RATED LOAD (mm)	RATED LOAD (kg)	PAD SIZE (mm)	TYPE
B / RP1 / 03 / 0275	RED	3	275	100 x 100 x 25THK	SINGLE LAYER SOLID PAD
B / RP1 / 03 / 0550			550	100 x 200 x 25THK	
B / RP2 / 03 / 0400	PURPLE	3	400	100 x 100 x 25THK	
B / RP2 / 03 / 0800			800	100 x 200 x 25THK	
B / RP3 / 06 / 0275	RED	6	275	100 x 100 x 51THK	DOUBLE LAYER SOLID PAD WITH STEEL INTERLEAF
B / RP3 / 06 / 0550			550	100 x 200 x 51THK	
B / RP4 / 06 / 0400	PURPLE	6	400	100 x 100 x 51THK	
B / RP4 / 06 / 0800			800	100 x 200 x 51THK	